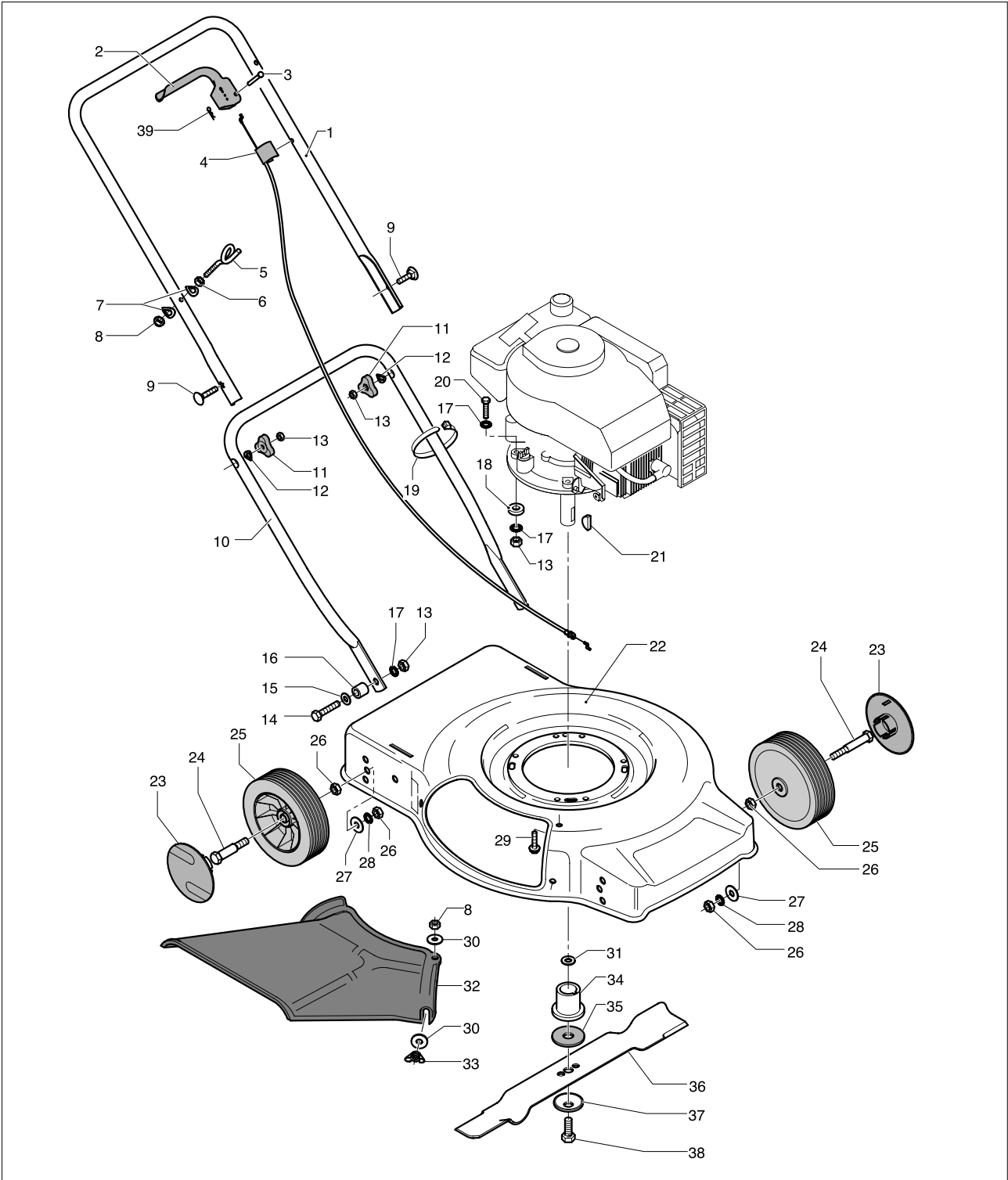


brand	PARTNER
-------	----------------

date	JAN/02	SHEET 1/2
------	--------	-----------

Model	T3550S

Product number	9538781-17



brand	PARTNER
-------	----------------

date	JAN/02	SHEET 2/2
------	--------	-----------

T3550S

Pos	PN ELX	PN MEP	Q.ty	Note
1	531206069	10150123	1	
2	531206027	10146633	1	
3	531207409	10651400	1	
4	531206025	10146610	1	
5	531205169	10121470	1	
6	531207165	10501200	1	M6 H6 UNI 5587-6S-ZB
7	531204961	10115900	2	6,5E
8	531208491	20281800	2	M6 H8 UNI7473-ZB
9	531207089	10402401	2	TTSQ M8x50 TF ZB
10	531206260	10158403	1	
11	531204923	10114303	2	
12	531207090	10402402	2	8,5
13	531207982	20106300	7	M8 H8 UNI 5587-6S ZB
14	531207071	10396600	2	TE M8x30 UNI 5739-8,8-ZB
15	531204922	10114200	2	8x16x1,5 ZB
16	531206261	10158500	2	D.8,5x18x12H ZNT
17	531207981	20106200	8	D.8E DIN 6798
18	531205732	10140213	3	H.5
19	531205581	10135600	1	160X4,5
20	531207044	10390800	3	TE M8x40 UNI 5737-8,8-ZB
21	531204907	10100900	1	4x6,5 UNI6606 WODRUF
22	531211035	10177611	1	
23	531206010	10146490	4	D. 160
24	531205042	10120090	4	
25	531206015	10146503	4	D.160 RIGATA
26	531207978	20101700	8	M10 H8 UNI 5588-6S ZB
27	531207989	20113000	4	10x30x2,5
28	531208974	30102100	4	10E
29	531208053	20122600	3	M6x20 TE FL
30	531205377	10126000	3	6x18x1,5
31	531207122	10428900	1	10x21x2
32	531206238	10158363	1	
33	531206263	10158520	2	D.M6
34	531207242	10531600	1	
35	531207243	10531700	1	17,2x50x1,5+0,1
36	531206546	10177510	1	
37	531207237	10530900	1	11x50x2,5
38	531208008	20120580	1	TE 3/8 UNFx37- 8,8 1/2F ZB
39	531207408	10651300	1	1.1x17